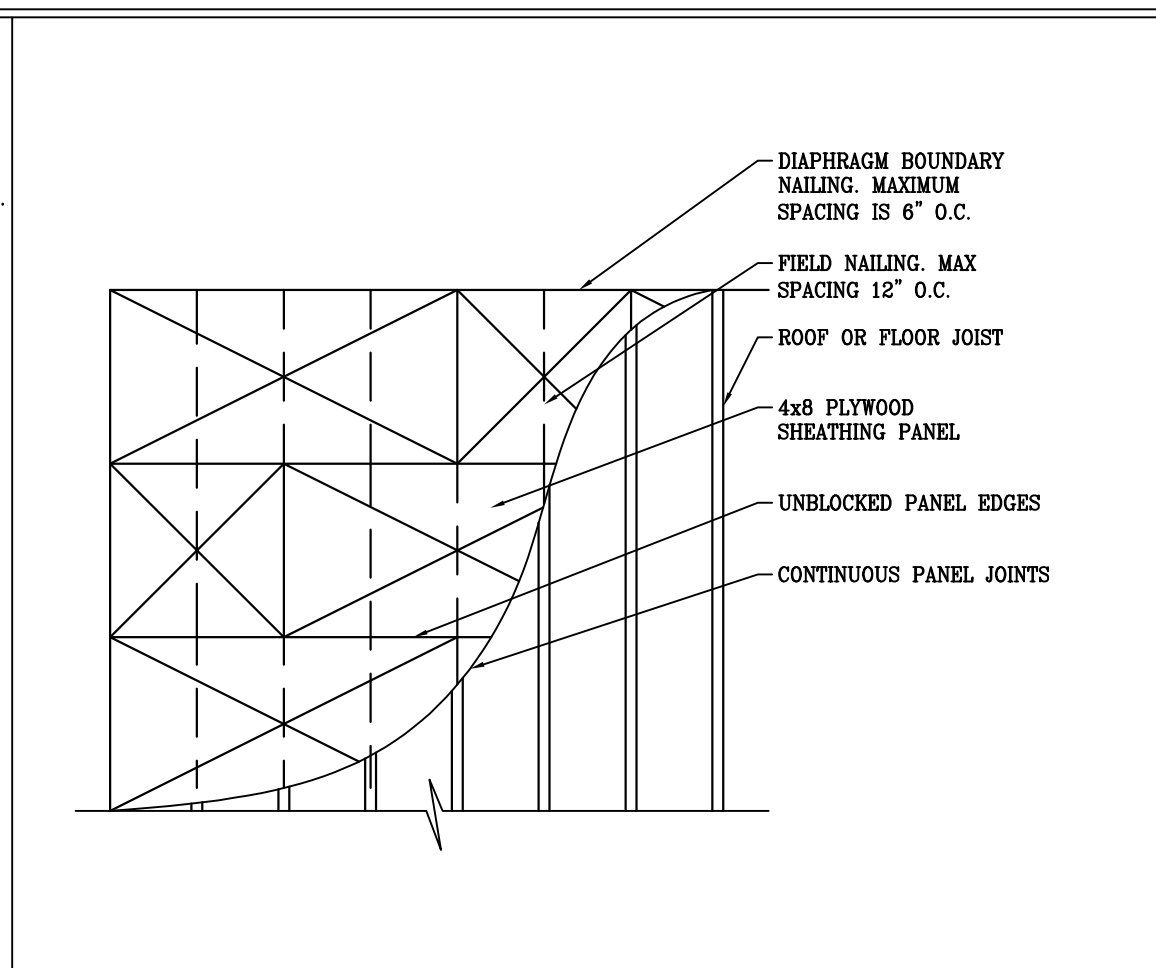
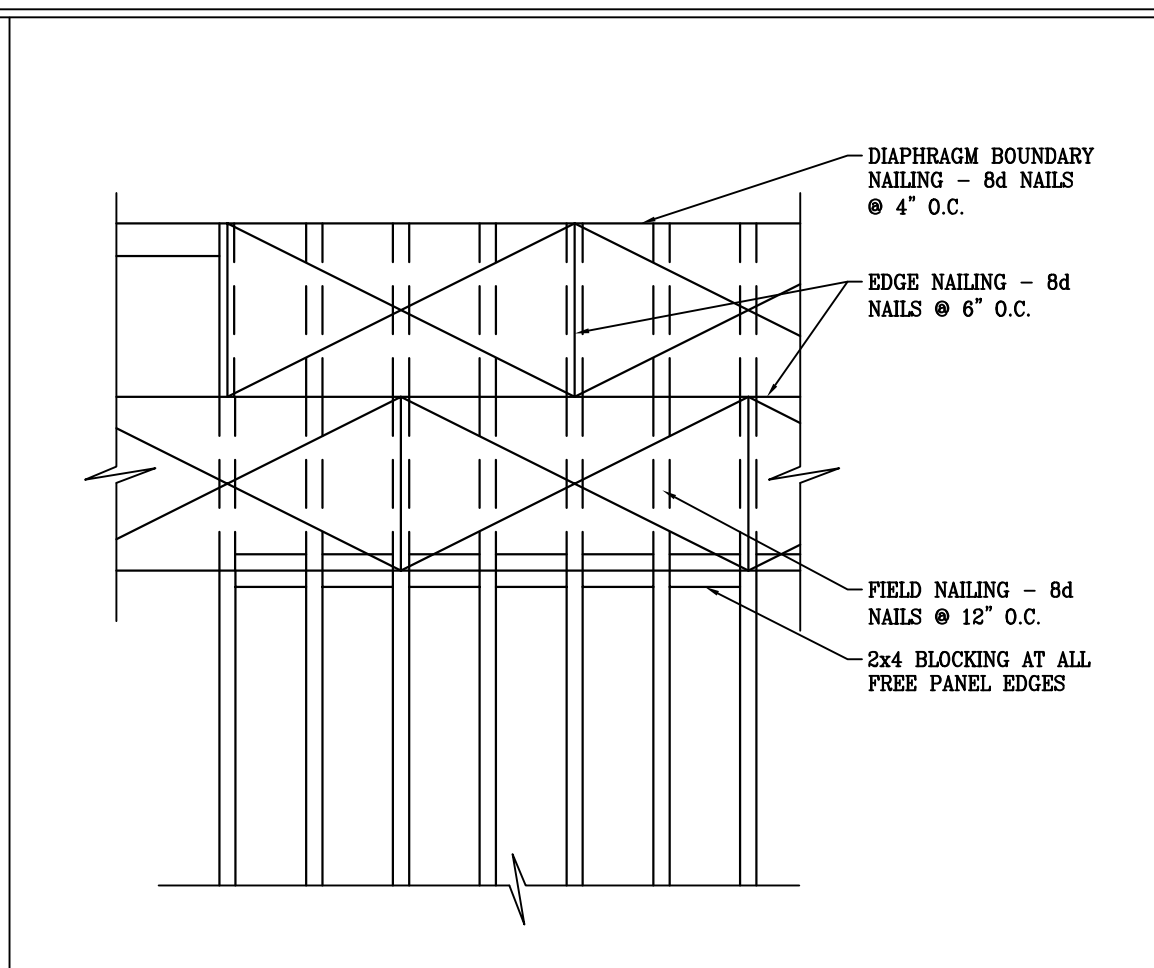


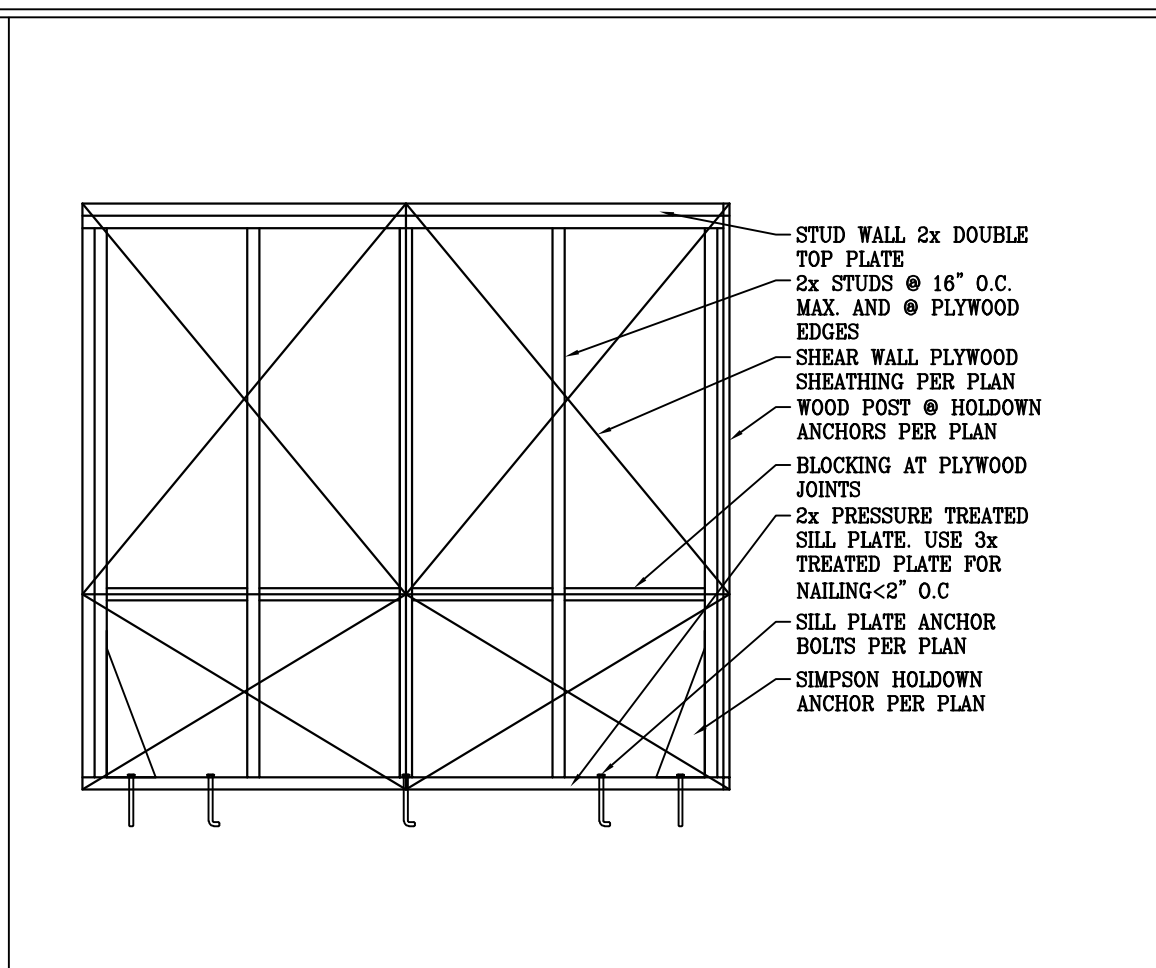
1 | TYPICAL WALL FRAMING



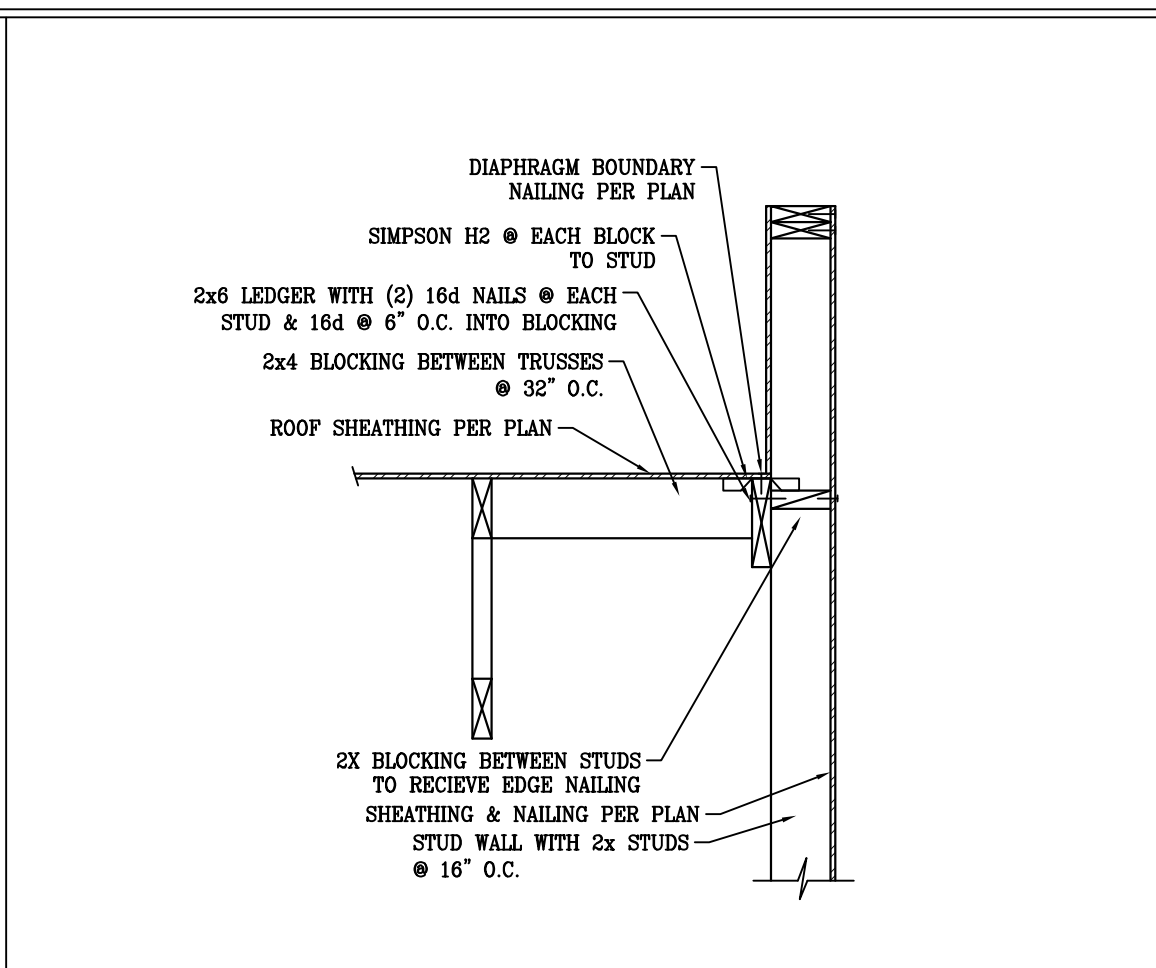
2 | UNBLOCKED HORIZONTAL DIAPHRAGM



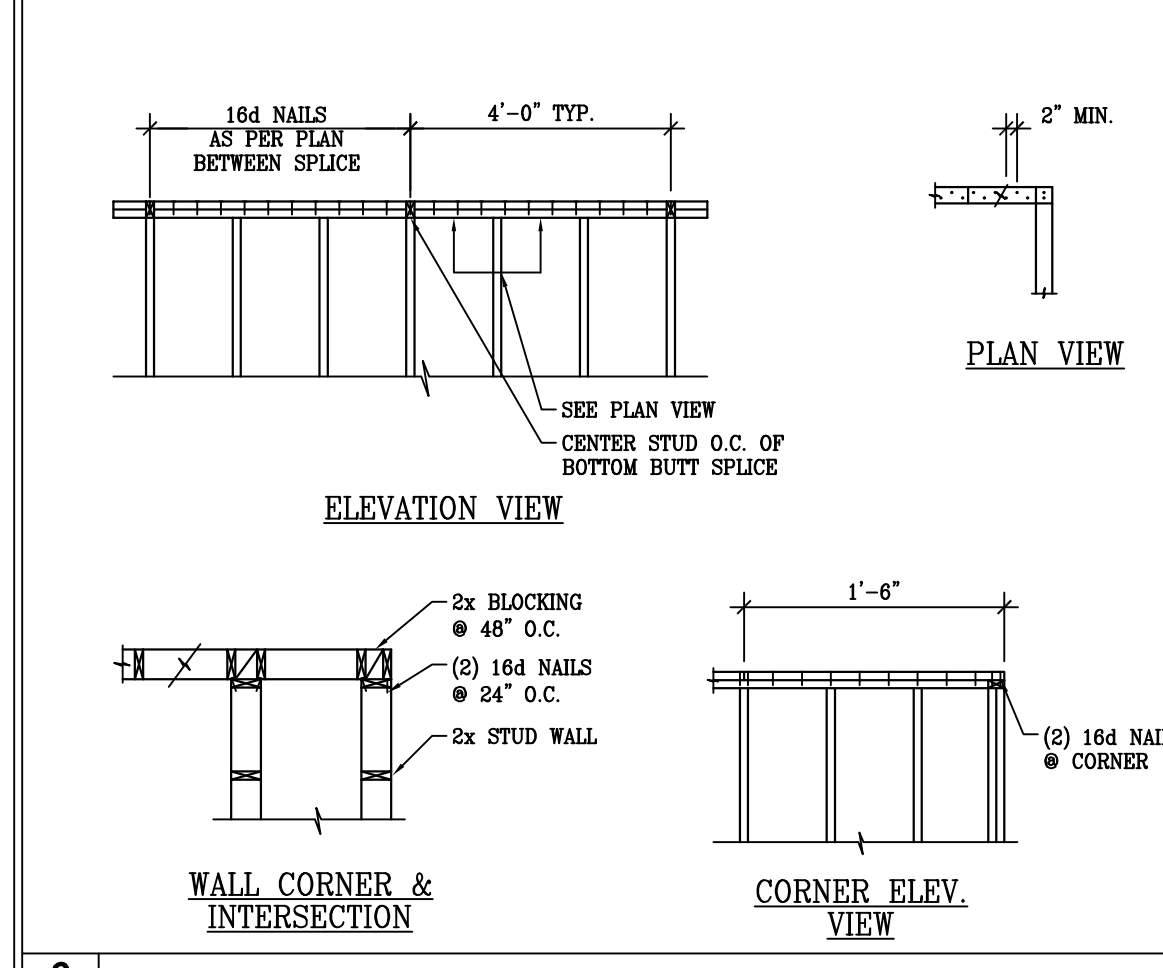
3 | BLOCKED HORIZONTAL DIAPHRAGM



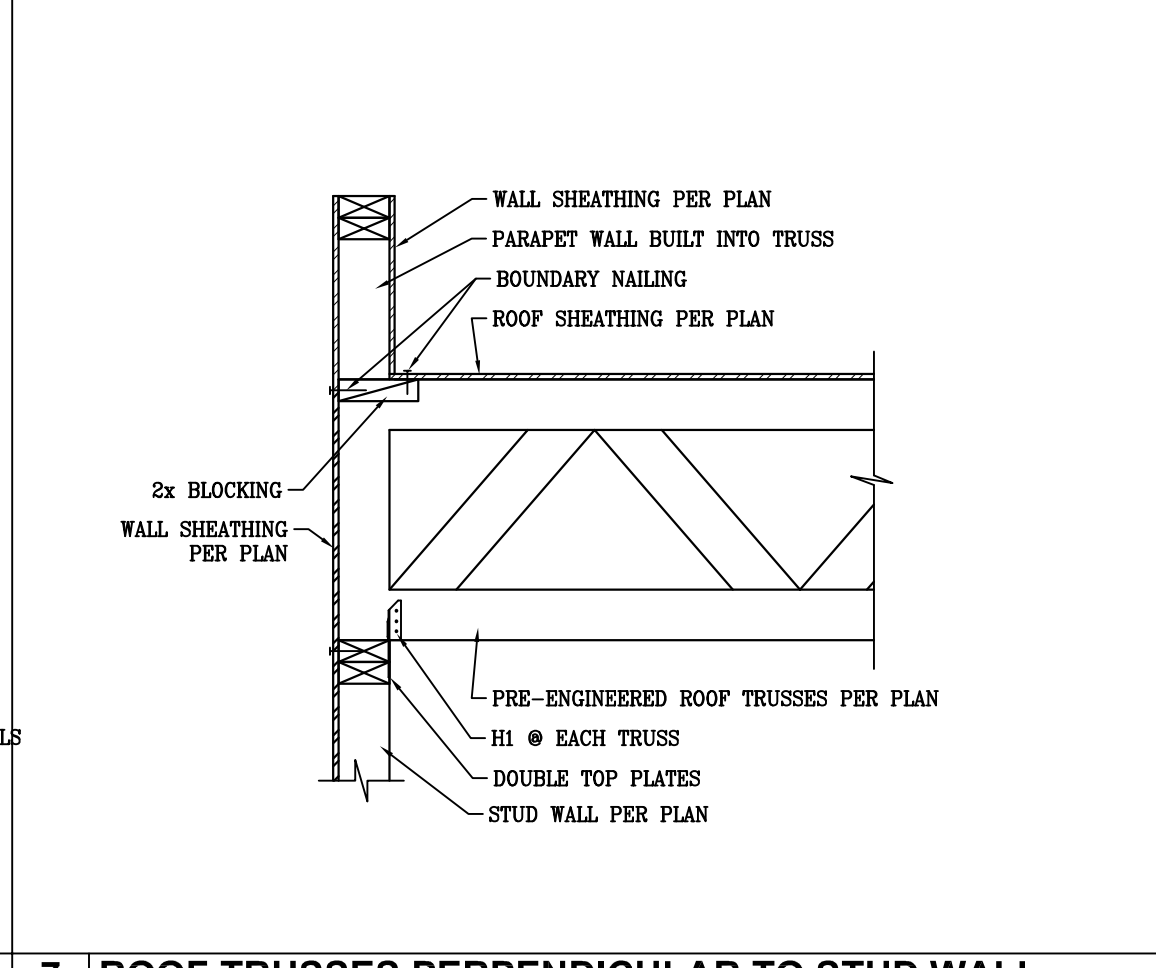
4 | TYPICAL SHEAR WALL FRAMING & CONNECTION



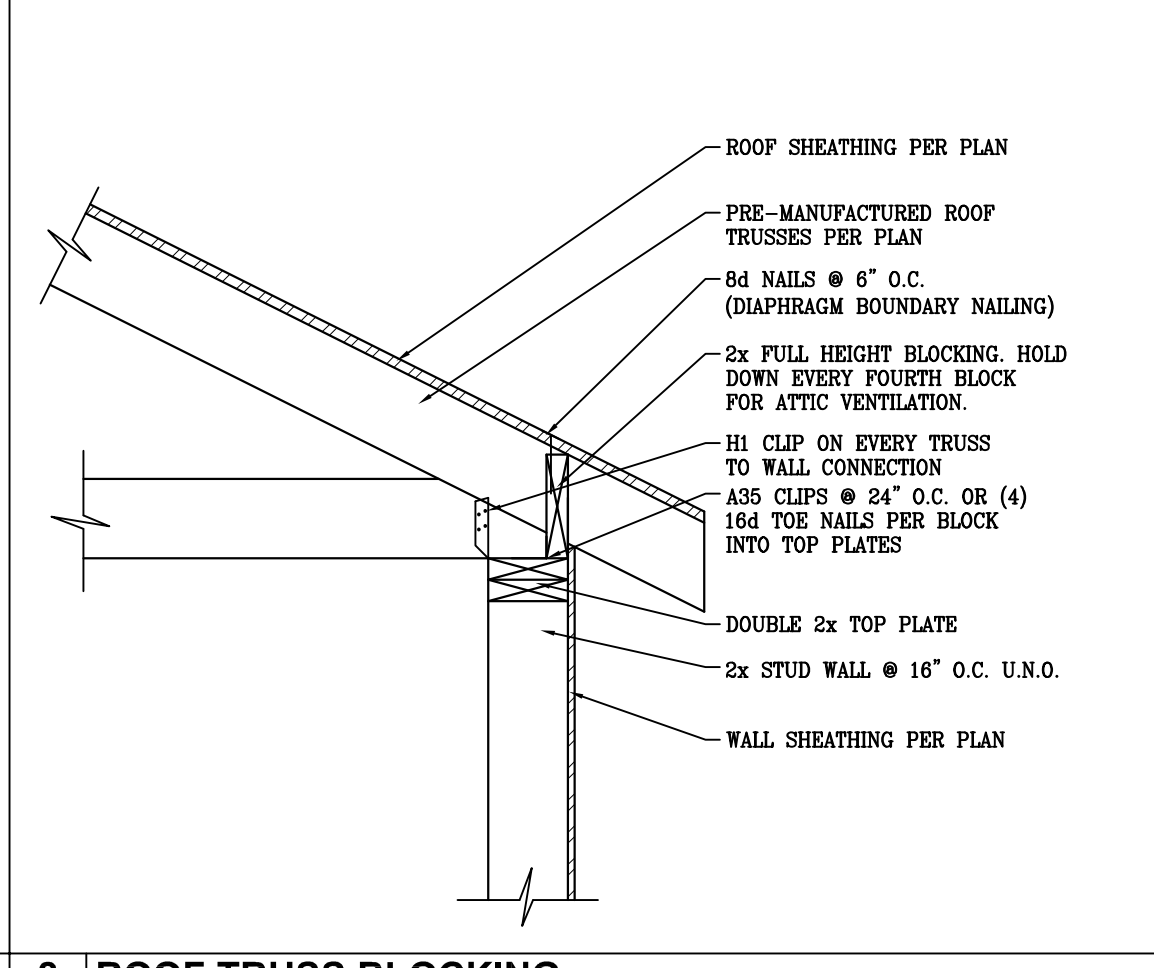
5 | PARAPET WALL WITH PARALLEL TRUSS DETAIL



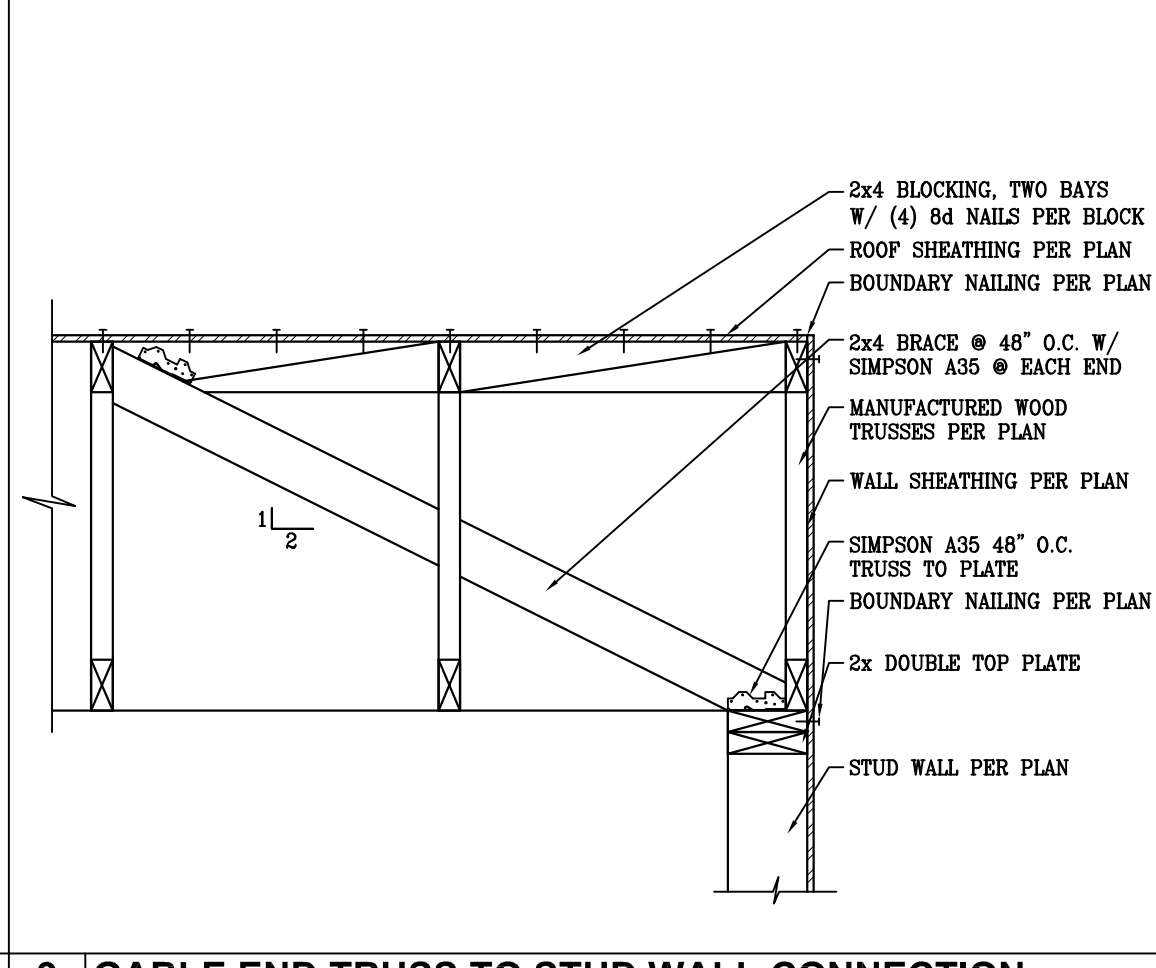
6 | STUD WALL TOP PLATE SPLICE CONNECTION



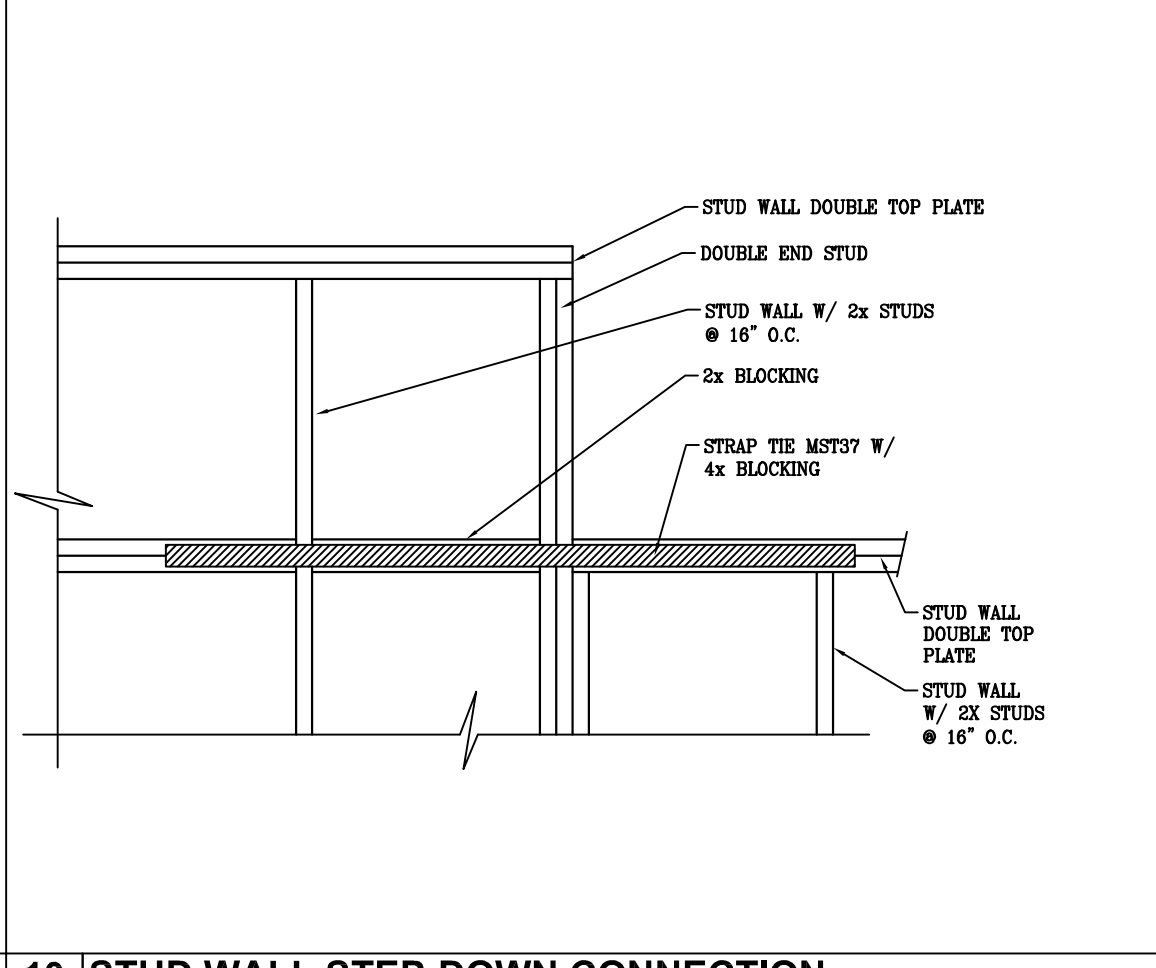
7 | ROOF TRUSSES PERPENDICULAR TO STUD WALL



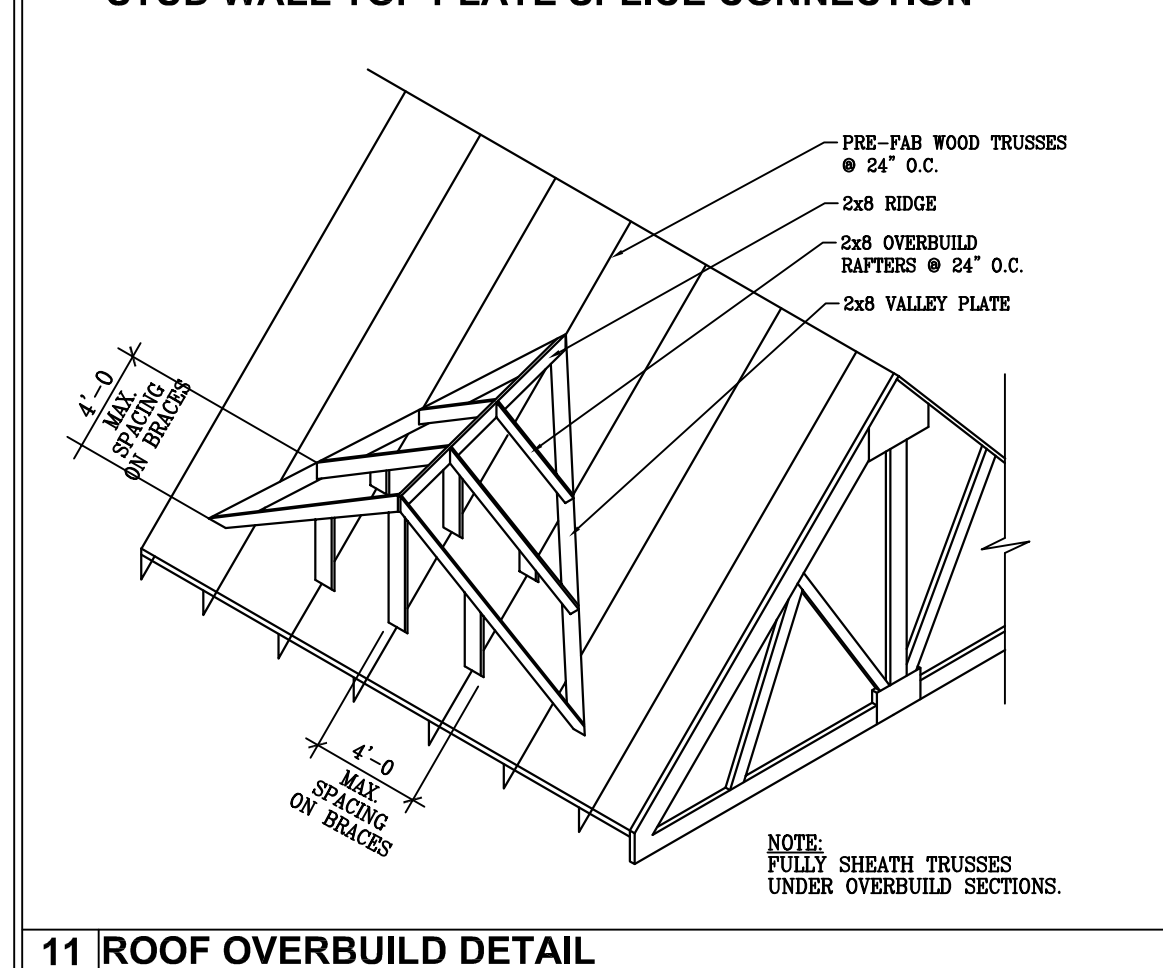
8 | ROOF TRUSS BLOCKING



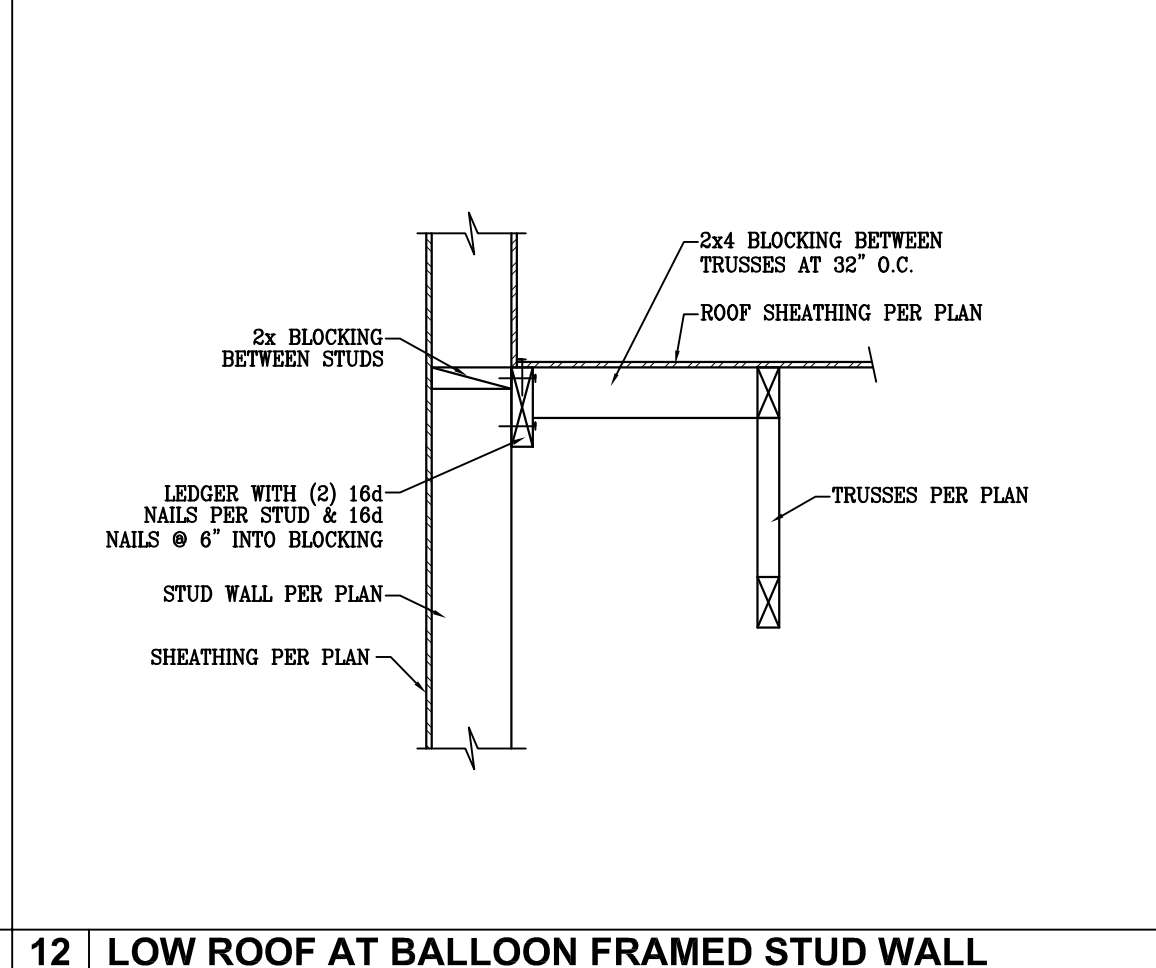
9 | GABLE END TRUSS TO STUD WALL CONNECTION



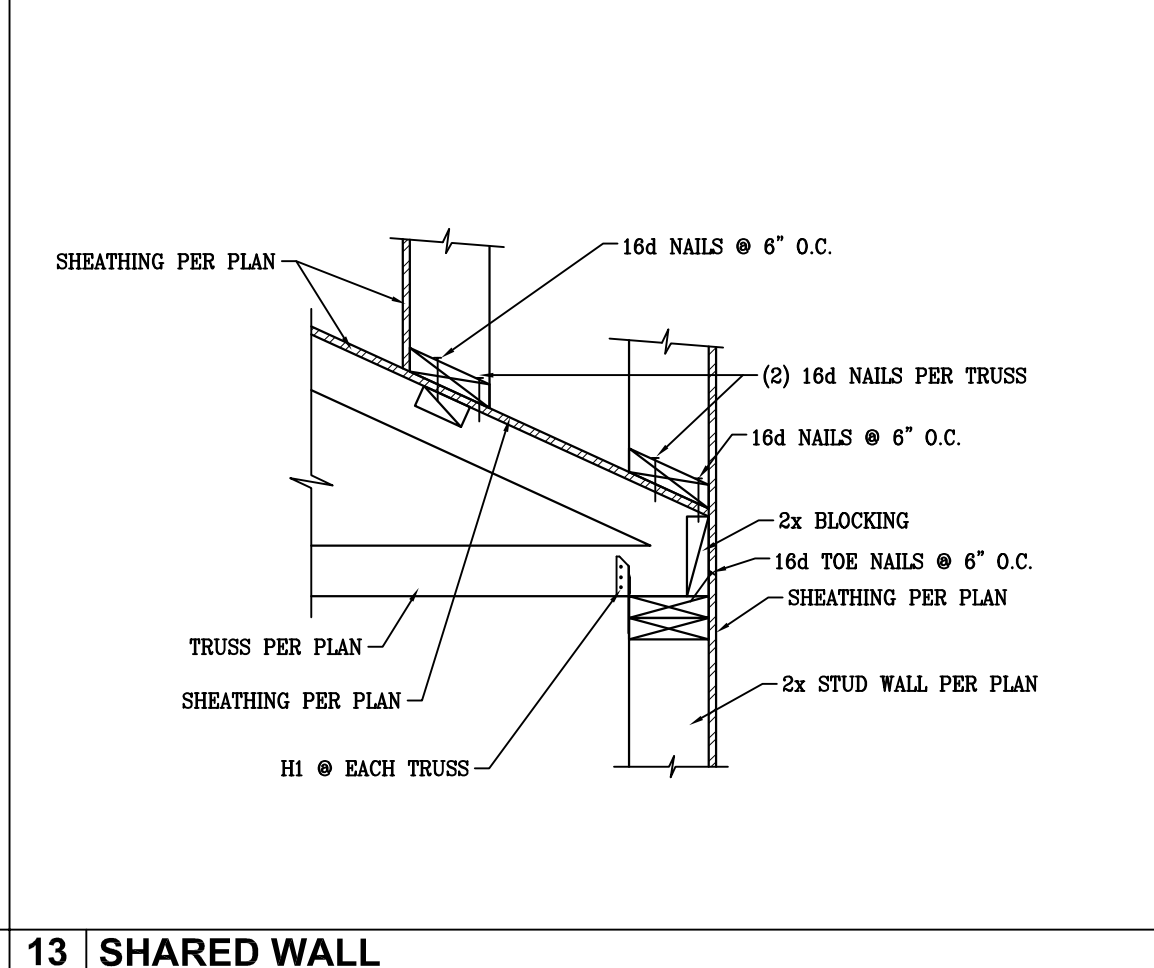
10 | STUD WALL STEP-DOWN CONNECTION



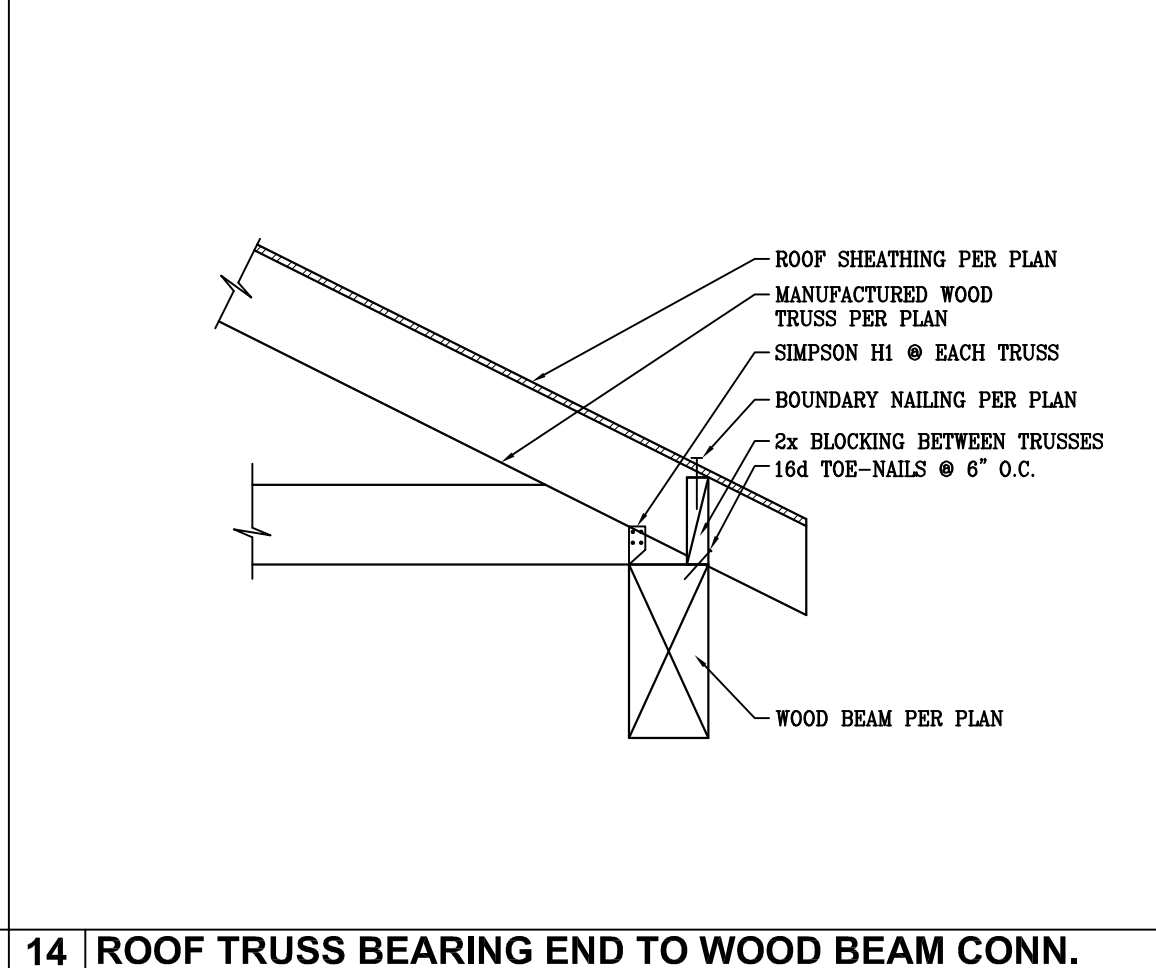
11 | ROOF OVERBUILD DETAIL



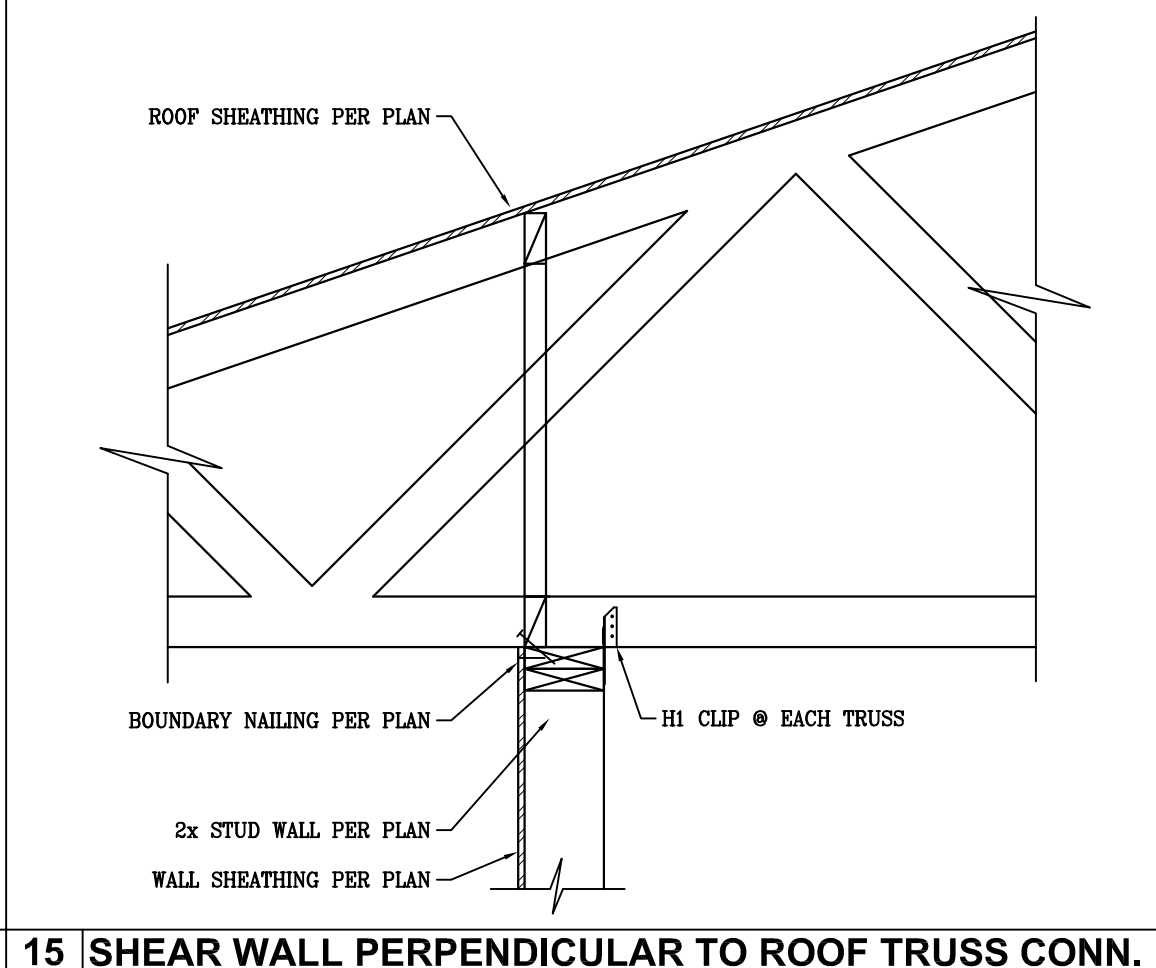
12 | LOW ROOF AT BALLOON FRAMED STUD WALL



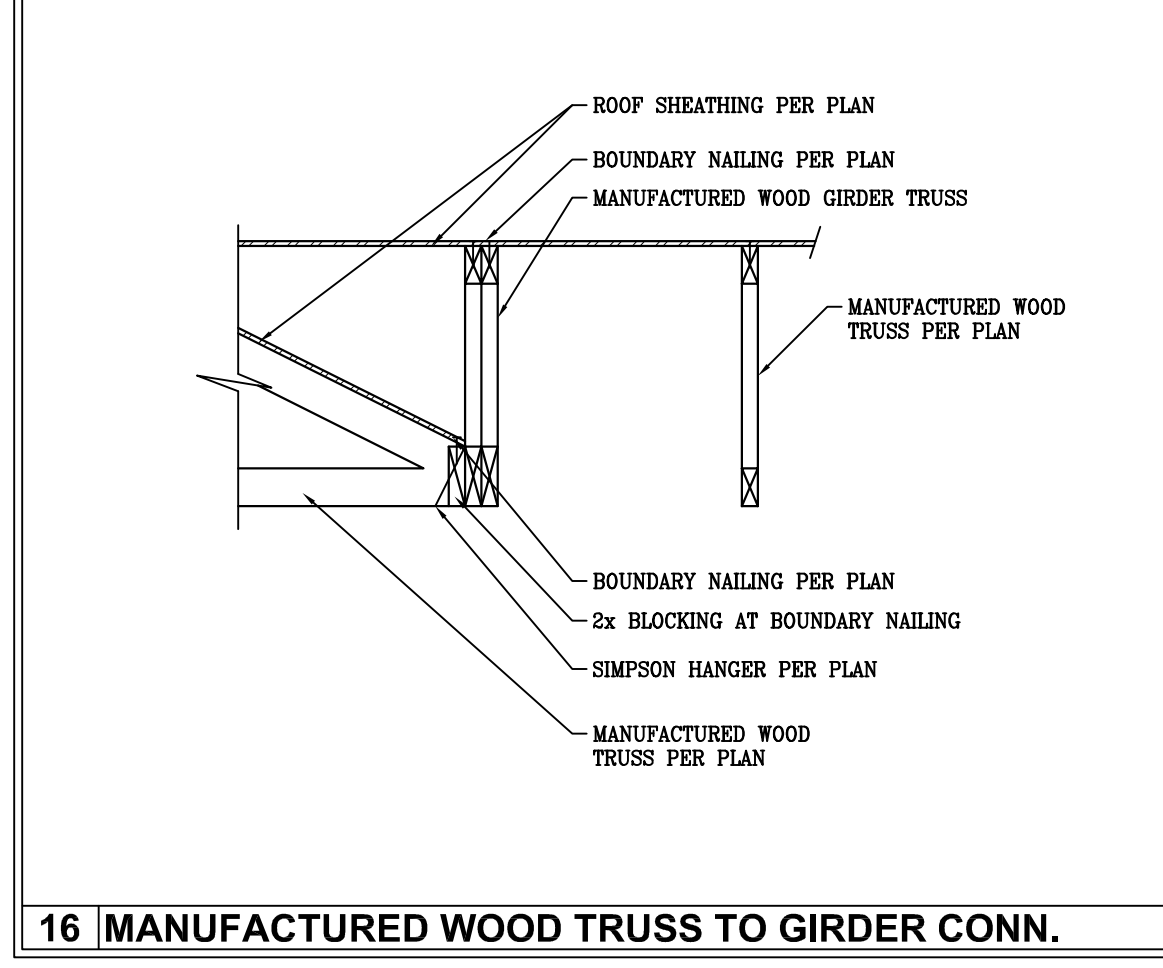
13 | SHARED WALL



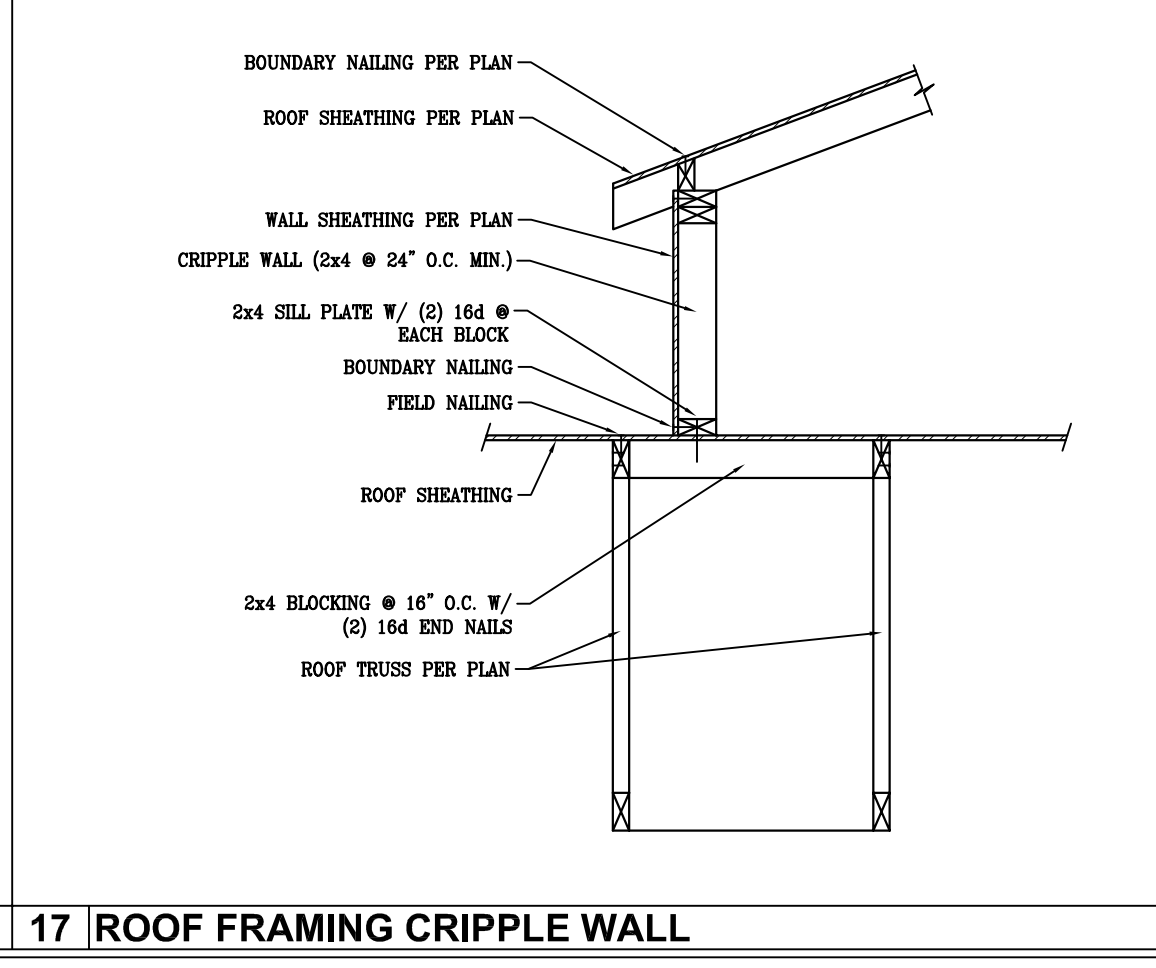
14 | ROOF TRUSS BEARING END TO WOOD BEAM CONN.



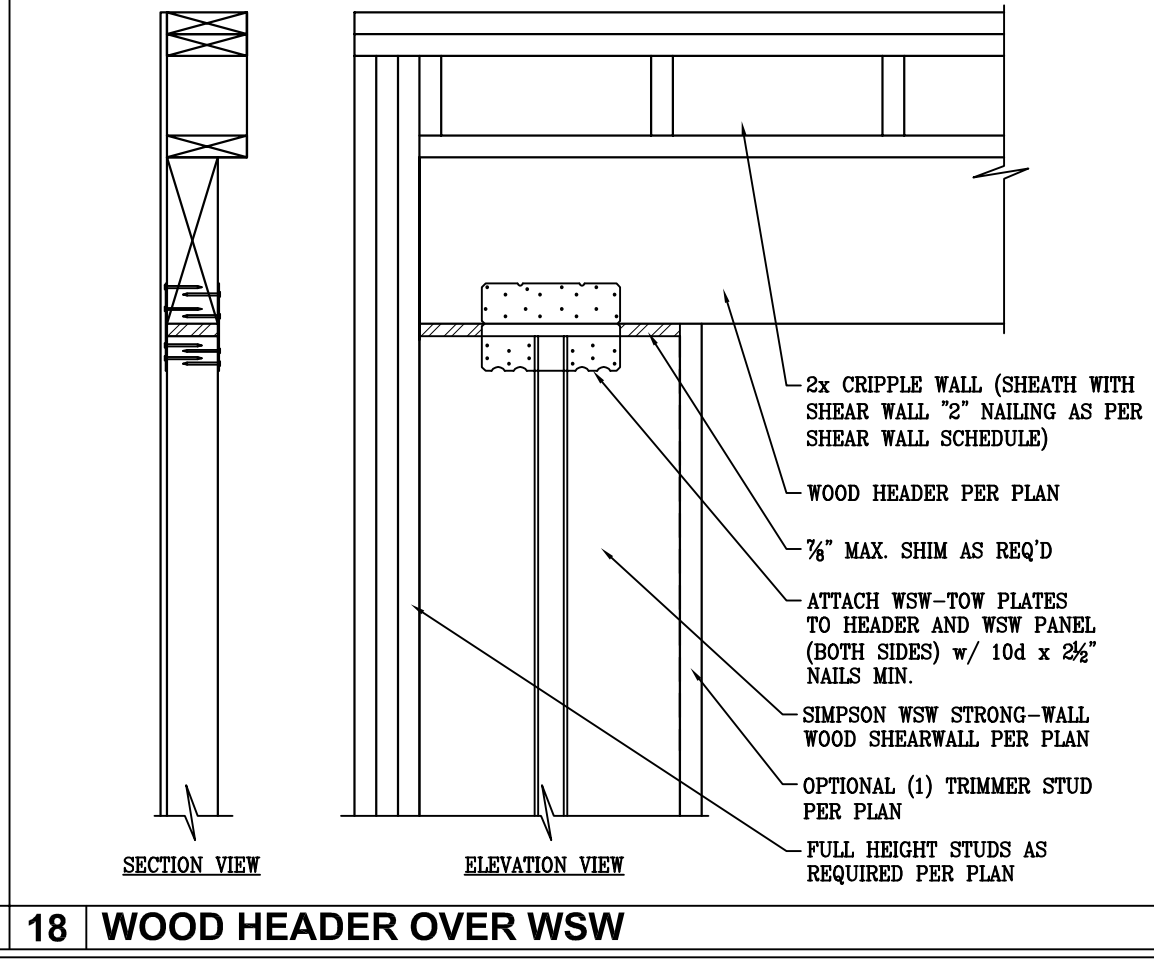
15 | SHEAR WALL PERPENDICULAR TO ROOF TRUSS CONN.



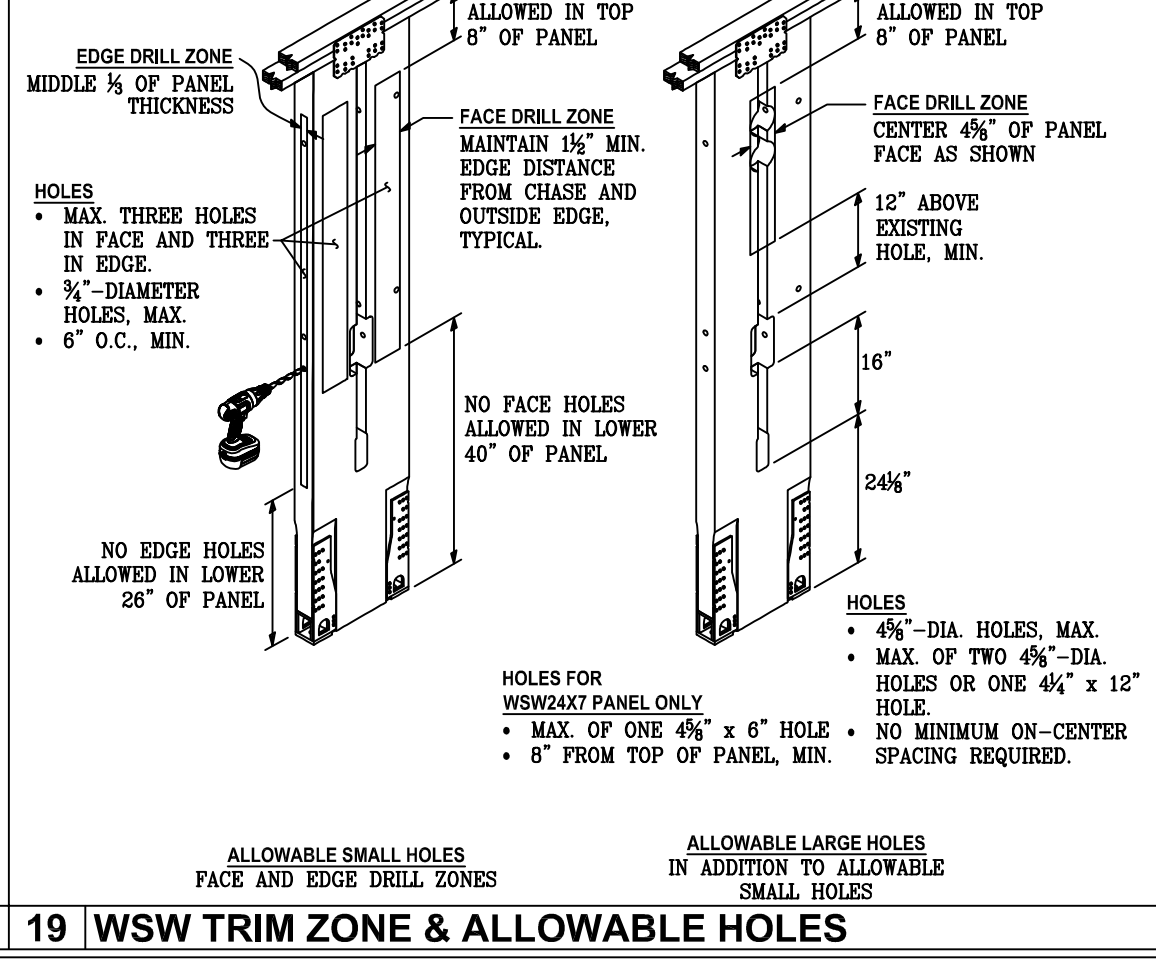
16 | MANUFACTURED WOOD TRUSS TO GIRDER CONN.



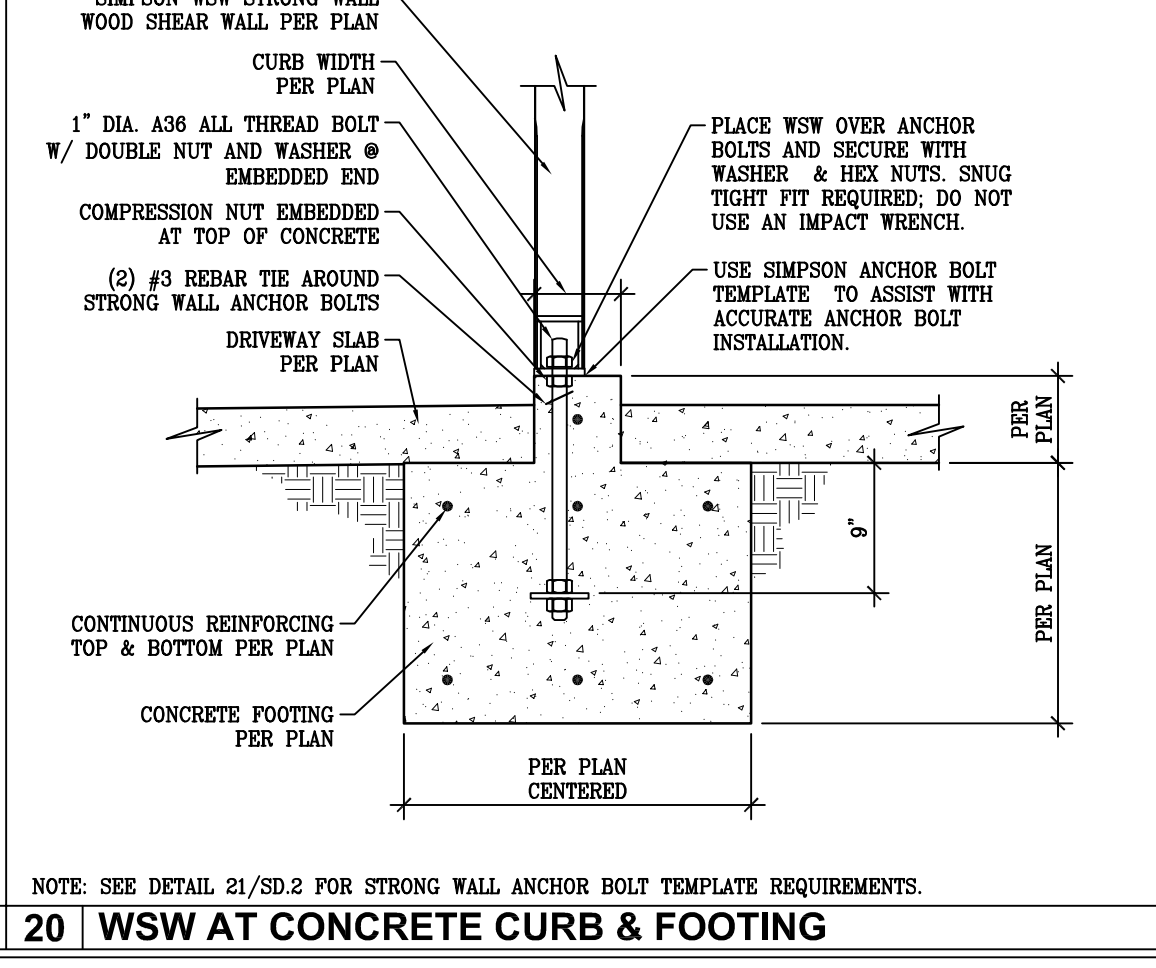
17 | ROOF FRAMING CRIPPLE WALL



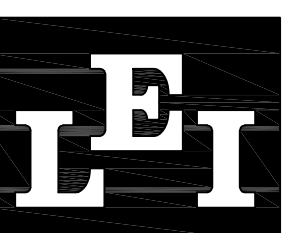
18 | WOOD HEADER OVER WSW



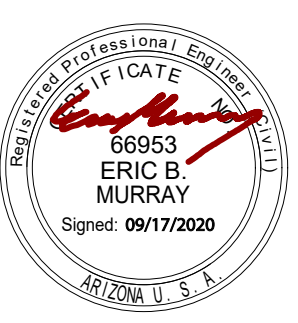
19 | WSW TRIM ZONE & ALLOWABLE HOLES



20 | WSW AT CONCRETE CURB & FOOTING



- A Utah Corporation -
ENGINEERS
SURVEYORS
PLANNERS
 3302 N. Main Street
 Spanish Fork, UT 84660
 Phone: 801.798.0555
 Fax: 801.798.9393
 office@lei-eng.com
 www.lei-eng.com



STRUCTURAL ELEMENTS ONLY

2900 AMIGO DRIVE
 LAKE HAVASU CITY, ARIZONA
STRUCTURAL DETAILS

DIMENSIONS SHOWN ON THE STRUCTURAL PLANS ARE FOR CONVENIENCE ONLY. VERIFY ALL DIMENSIONS WITH THE CURRENT ARCHITECTURAL PLANS PRIOR TO CONSTRUCTION.

REVISIONS	
1	DESCRIPTION
2	DATE BY
3	
4	
5	

LEI PROJECT #:
2020-2578
 DRAWN BY:
EBM
 CHECKED BY:
EBM
 SCALE:
NTS
 DATE:
9/17/2020

SHEET
SD.1