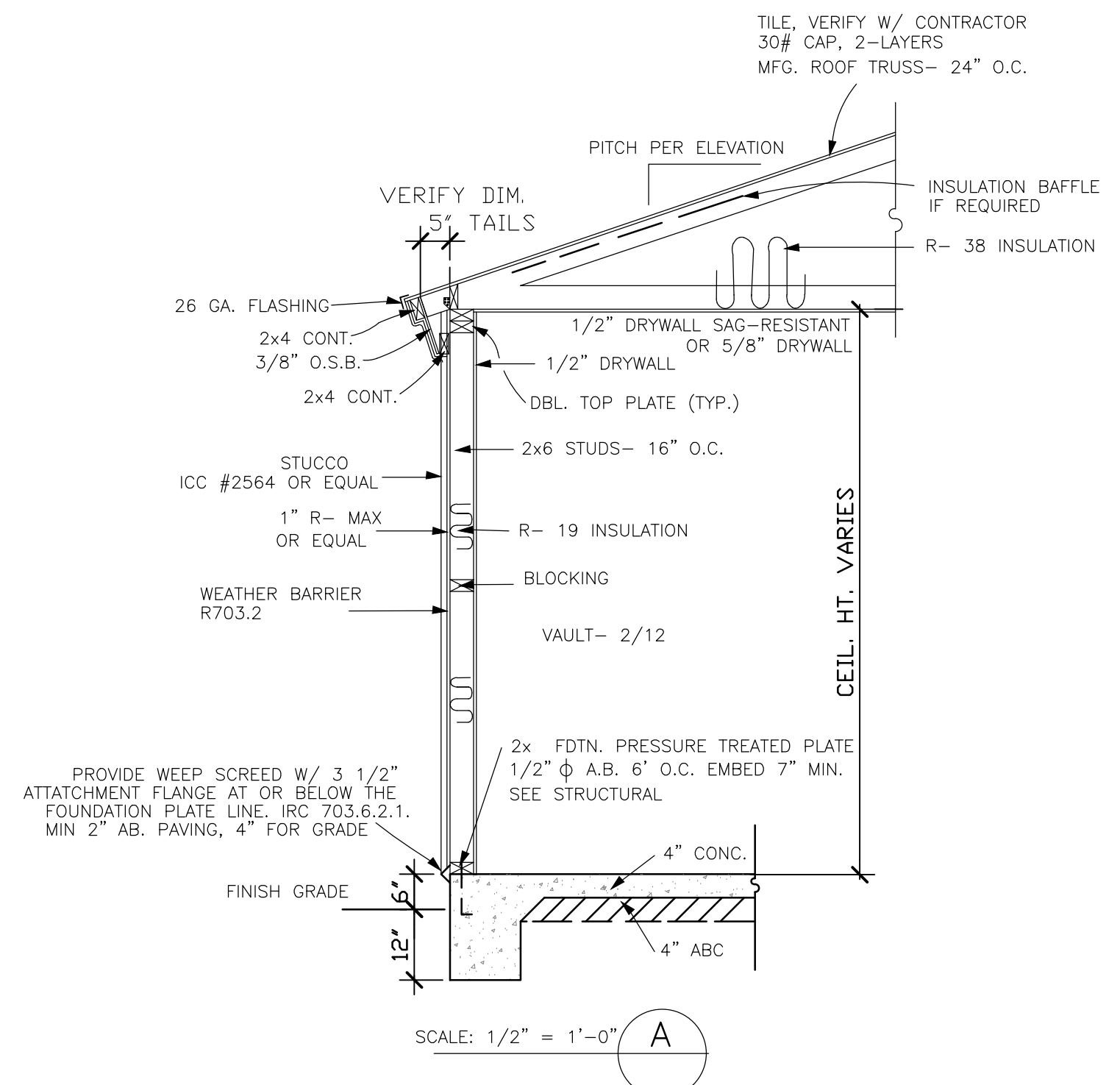


— SLOPE
 - - - - RIDGE VENT
 [OH] OHAGEN TILE VENTS
 [RV] OHAGEN TILE VENTS

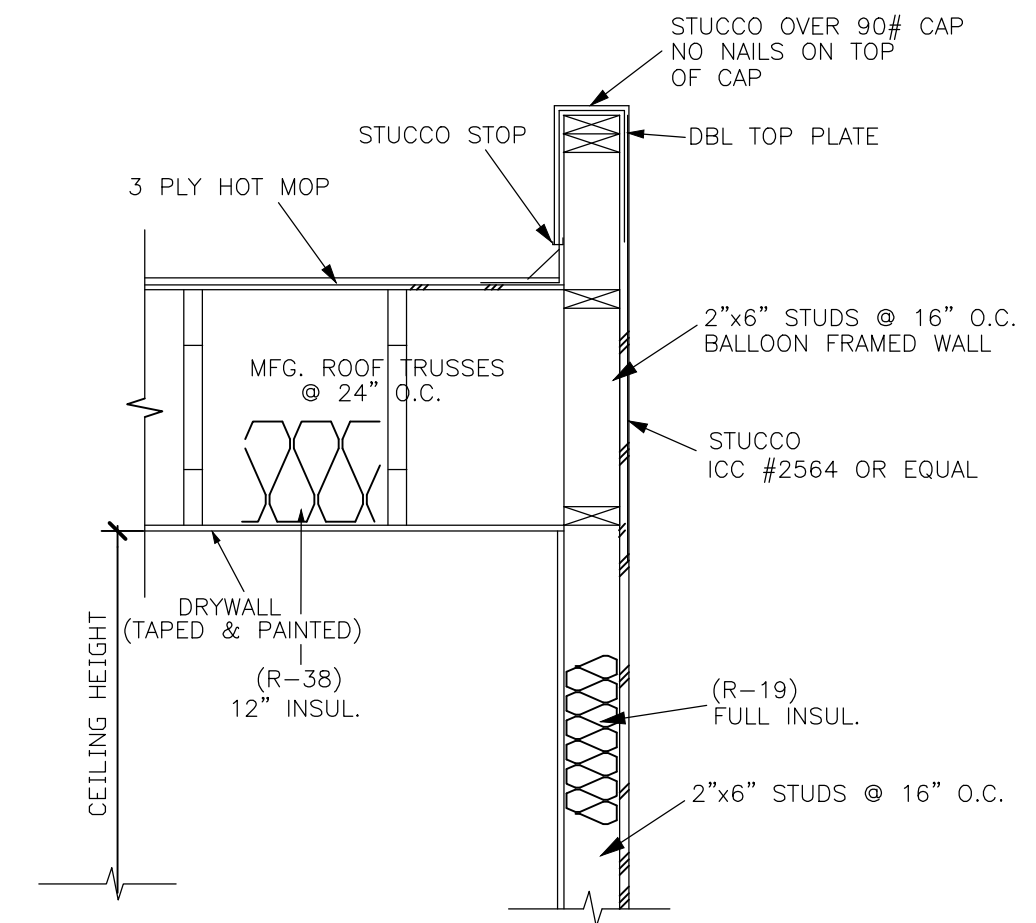
RV GARAGE

VENTING REQUIRED - 877/150 = 5.85	
4-18x18 ROOF VENTS -- 6.68	FREE VENT AREA USED
PROVIDED ----- 6.68 S.F.	

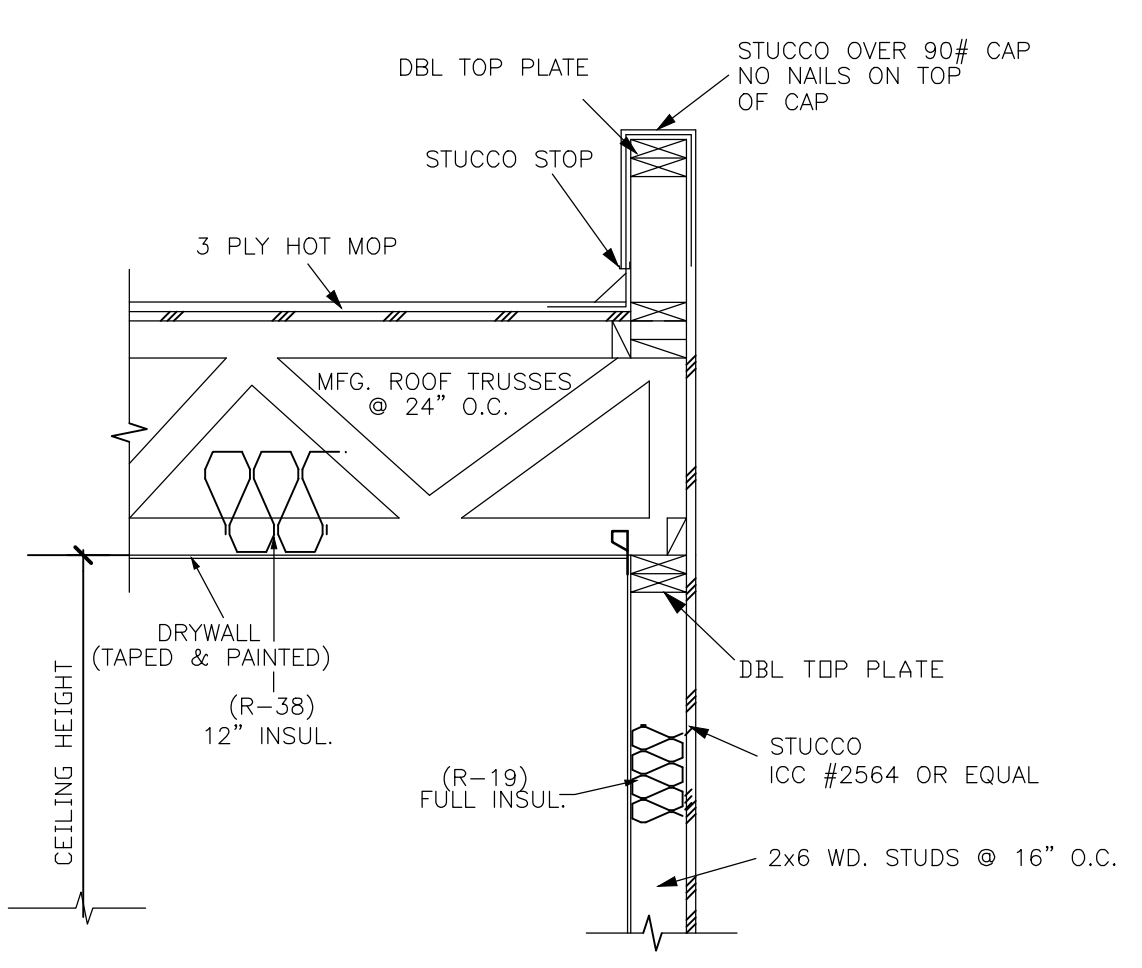
VENTING REQUIRED - 3188/ = 10.63	
*UPPER VENTING	
12-4" CLAY PIPE VENTS -- 1.44	FREE VENT AREA USED
50 L.F. DF RIDGE VENT -- 5.00	
PROVIDED ----- 6.44 S.F.	
*LOWER VENTING (3" MAX AB. TOP PL.)	
6-0" OHAGEN TILE VENTS -- 5.88	FREE VENT AREA USED
PROVIDED ----- 5.88 S.F.	



TYPICAL WALL (2x6)



EXTERIOR WALL SECTION



TRUSS TO BEARING WALL

REVISIONS	
DATE	BY

NOTE: THESE PLANS ARE STRICTLY DIAGRAMMATIC. They are merely a guide to the construction of the building and are not to be used as a basis for construction or reflection of that which the customer has purchased or is entitled to purchase. The contractor shall be responsible for the accuracy of dimensions and engineering requirements are the responsibility of the subcontractors, suppliers and the general contractor. These plans are for the sole use of the contractor and are not to be used for any other purpose without the distribution to, or use by, the customer, buyer or property owner.

2900 AMIGO DRIVE
2215-5-36
LAKE HAVASU CITY, AZ

ADVANCED CONSTRUCTION CO., INC.
 GENERAL CONTRACTORS
 928 855-6370
 www.advancedaz.com

ROOF PLAN

DRAWN	RJB
CHECKED	
DATE	9.23.20
SCALE	1/4"=1'-0"
JOB NO.	
SHEET	A3