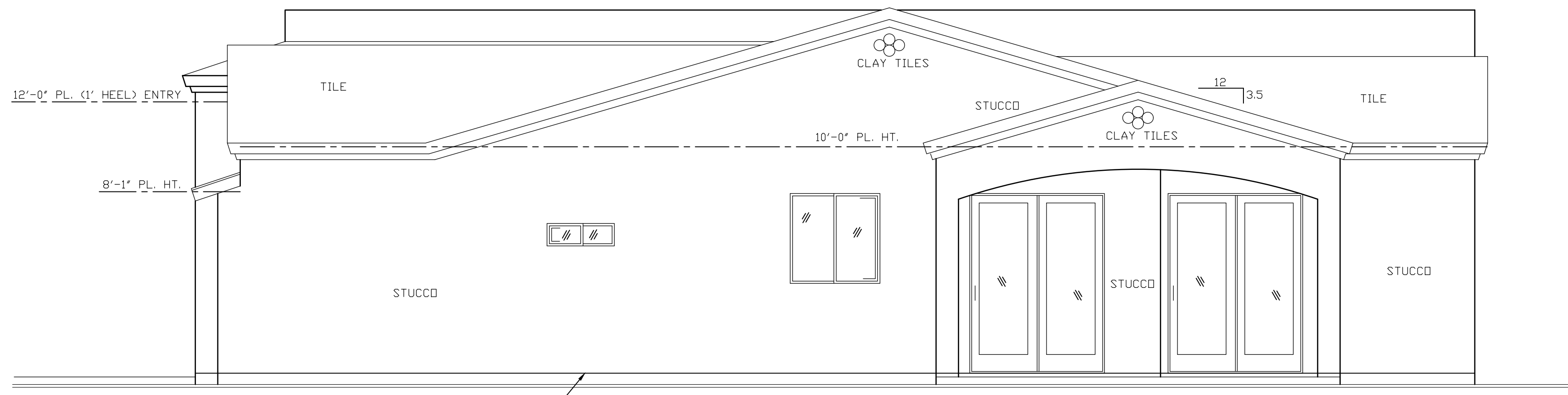
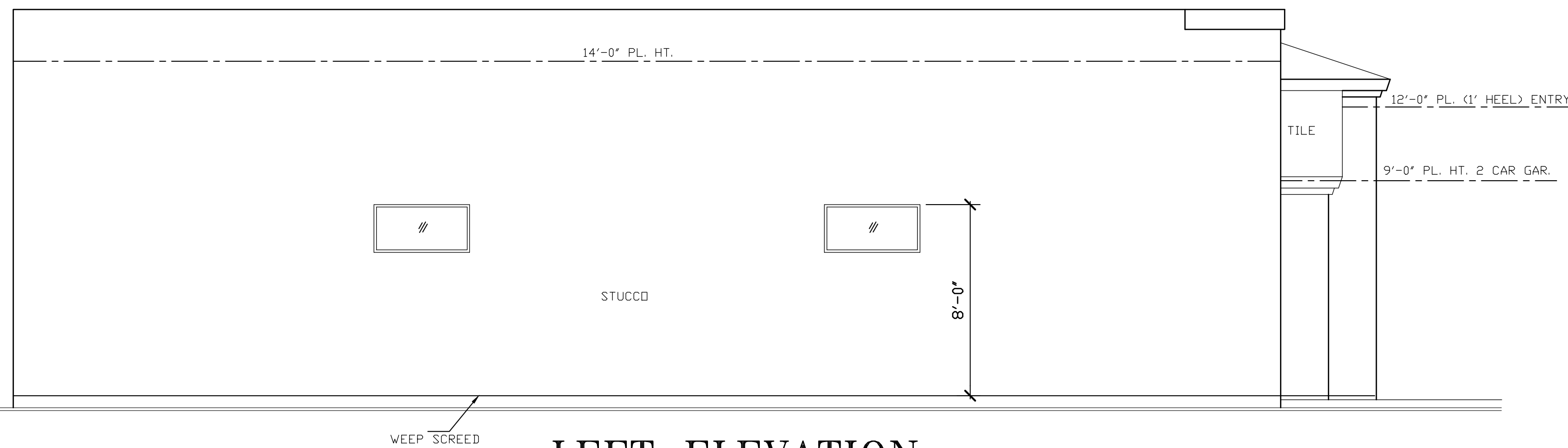


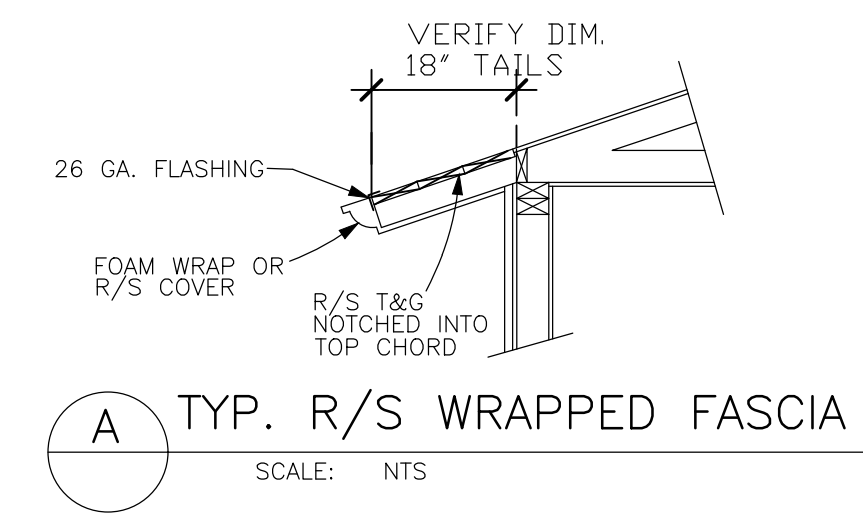
**REAR ELEVATION**



**RIGHT ELEVATION**



**LEFT ELEVATION**



**A TYP. R/S WRAPPED FASCIA**  
SCALE: NTS



**FRONT ELEVATION**

REVISIONS	
DATE	BY

1 CITY REVISIONS  
10.29.20 RJB

NOTE: THESE PLANS ARE STRICTLY DIAGRAMATIC. They are merely a guide to the construction of the building and are not to be used as a representation or reflection of that which the customer has purchased or is entitled to purchase. The contractor is responsible for the accuracy of dimensions and engineering requirements are the responsibility of the subcontractors, suppliers and the general contractor. These plans are for the sole use of the contractor and are not to be distributed, copied, or used for any other property owner.

**2900 AMIGO DRIVE**  
**2215-5-36**  
**LAKE HAVASU CITY, AZ**

**ADVANCED CONSTRUCTION CO., INC.**  
GENERAL CONTRACTORS  
RESIDENTIAL - 47123  
928 855-6370  
www.advancedaz.com

ELEVATIONS	

DRAWN	RJB
CHECKED	
DATE	9.23.20
SCALE	1/4"=1'-0"
JOB NO.	
SHEET	A2